

# EXPRESS™ Imaging plate system

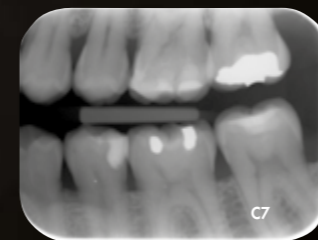
*Seamless performance.*



INSTRUMENTARIUM



## Accurate and Consistent Diagnostic Results



Like all Instrumentarium Dental products, the EXPRESS™ imaging plate system has been designed with great attention to detail. It is an accurate, efficient and reliable partner. The EXPRESS™ imaging plate system represents digital intraoral radiography at its best.

### ***Clinical image quality***

The EXPRESS™ imaging plate system consistently provides images with high details and excellent contrast. Speed of workflow need not be compromised for high image quality. Image processing is not sensitive to under- or over-exposures and can be adjusted according to user preferences.

### ***Professional software solutions***

The EXPRESS™ imaging plate system comes with the CLINIVIEW™ software, which has been developed for demanding use. It provides efficient imaging tools, excellent interoperability in a multi-user environment and good DICOM functionality.

# Excellence in Productivity

## ***High throughput for busy clinics***

The EXPRESSTM imaging plate system has outstanding throughput for heavy use. It can process up to 200 size 2 intraoral images in an hour without interruption. Busy imaging centers worldwide use the EXPRESSTM imaging plate system for intraoral images.

## ***Reliable and hygienic workflow***

The EXPRESSTM imaging plate system wakes up from stand-by mode and can be operated without touching the system. This workflow with single use hygiene accessories provides safe operation with minimized risk of cross-contamination. There is no need to disassemble and clean the unit regularly.

## ***A Team Player***

The EXPRESSTM imaging plate system has been designed to contribute in a large clinical environment. Multiple scanning stations can be flexibly accessed in a large-scale environment. The EXPRESSTM imaging plate system is compatible with DICOM Storage and Modality Worklist for standard patient management and image workflow. The patient information display ensures a secure workflow in a distributed environment.

*Hygiene workflow. As easy to position as film.*

1



2



3



4



# An investment you can rely on



## ***Built to last***

The EXPRESS™ image plate system is built to last. Rigid construction and precisely manufactured components make the EXPRESS™ system work reliably – year after year. A careful service plan can be applied to maintain daily performance even in a busy clinic. A five-year warranty is available for the EXPRESS™ imaging plate unit.

## ***Durable imaging plates***

Imaging plate covers, a scratch-resistant coating and tightly bonded layers provide wear resistance and extended lifetime for the imaging plates even in demanding conditions. The gentle plate feeding of the EXPRESS™ system protects the imaging plate from pressure and handling forces in the unit. With the robust iDOT marking, it is possible to track and replace worn imaging plates only when needed.

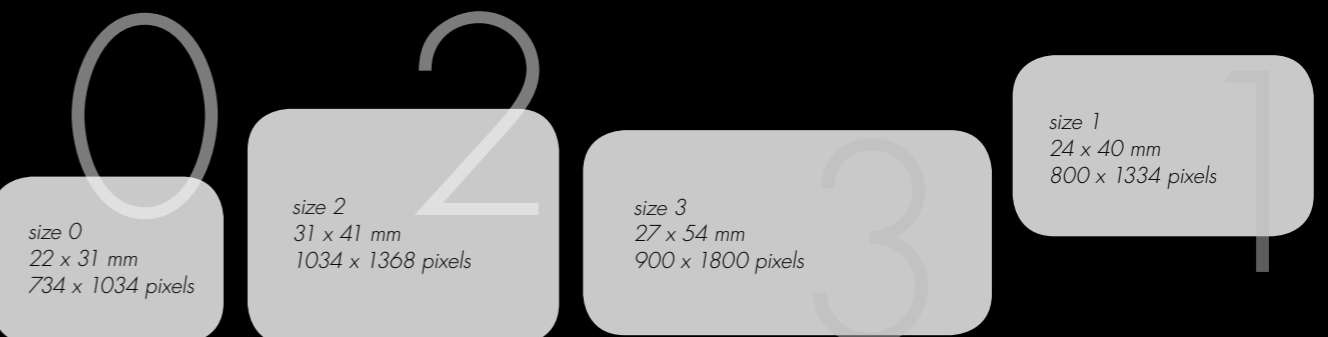
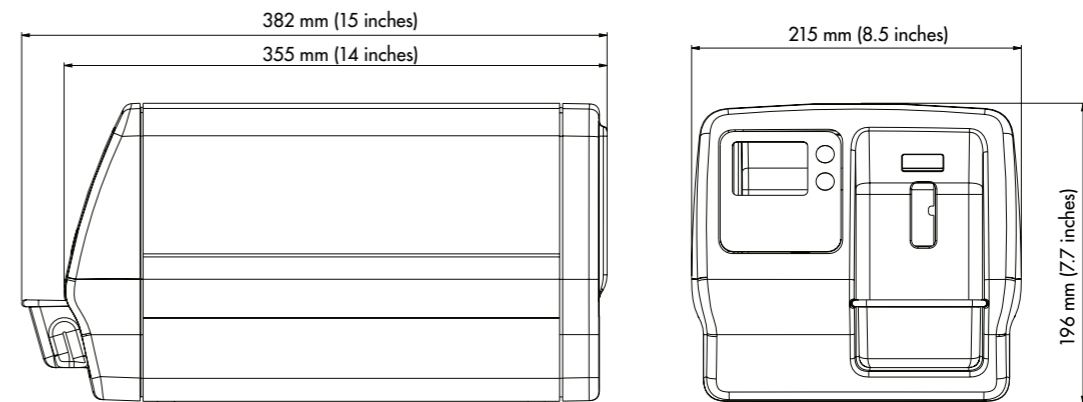
## ***Solid quality***

Quality performance is not only about running performance tests in laboratory conditions. Clinical quality depends on the capability to deliver consistent clinical results every day in a busy clinic. A machined aluminum body keeps precise optical components stable even in demanding environments. The housing has been built to reduce the risk of dust or liquid entering the delicate system. The EXPRESS™ Quality Assurance program can be used for ensuring quality system compliance in the clinic at any time.

# Technical specifications

EXPRESS™ imaging plate system – Technical specifications*	
Image bit depth	16 bit
Technology	Reusable imaging plate (PSP), sensor for touchless use
Pixel size	30 µm / 60µm, selectable
Scanning resolution	17 lp/mm
Scanning time	6,8 s @ Size 2 imaging plate
Connection	Standard network (Ethernet) RJ45, DHCP
Dimensions (H x W x D)	196 mm x 215 mm x 382 mm (7.7 x 8.5 x 15 inches)
Weight	10.3 kg (22.7 lbs)
Line voltage	100 – 240 V, 50/60 Hz
Operating current	Less than 1.3 A
Operating environment	+10°C – +40°C, 30 – 90 RH%, 700 – 1060 hPa

\* requires the use of compatible software, included.



**Instrumentarium Dental** develops, manufactures and markets high-tech systems and solutions for dental and maxillofacial imaging. We work in close co-operation with dental professionals, universities and other research centers in our quest to develop solutions that will meet and exceed the expectations of our customers. As the establisher of panoramic X-ray imaging, we are committed to providing high clinical performance while still maintaining simplicity, ease of use and workflow efficiency. The Instrumentarium Dental product portfolio consists of a full range of premium quality imaging solutions for intraoral, extraoral and 3D imaging. For more detailed information about our products, please visit [www.instrumentariumdental.com](http://www.instrumentariumdental.com).

Instrumentarium Dental reserves the right to make changes to specifications and features shown herein, or to discontinue the product described at any time without notice or obligation. Contact your Instrumentarium Dental representative for the most current information. CE marked according to Medical Device Directive (NB 0537). Electrical safety according to IEC 60601-1. Operations comply with ISO 13485:2003, ISO 9001:2008, and ISO 14001:2004.

EXPRESS™/CLINIVIEW™ is a registered trademark or a trademark of Instrumentarium Dental in the United States and/or other countries. All other trademarks are property of their respective owners.



[www.instrumentariumdental.com](http://www.instrumentariumdental.com)

### Headquarters

Instrumentarium Dental  
Nahkelantie 160  
P.O. Box 20  
FI-04300 Tuusula  
Finland  
Tel. +358 10 270 2000  
Fax +358 10 270 2230  
e-mail: [info@instrudental.com](mailto:info@instrudental.com)

### USA

Instrumentarium Dental  
11727 Fruehauf Drive  
Charlotte, NC 28273  
U.S.A  
Tel. 800-558-6120  
Fax. 877-292-6050  
e-mail: [KKG.Imaging.CS@kavokerrgroup.com](mailto:KKG.Imaging.CS@kavokerrgroup.com)